

### HEAD OFFICE



1 Genting Link

#02-04, Perfect One

Singapore 349518



(+65) 6748 2277



(+65) 6744 0033



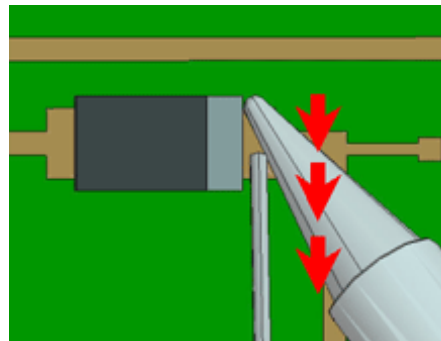
sales@hakko.com.sg



@hakkoproducts

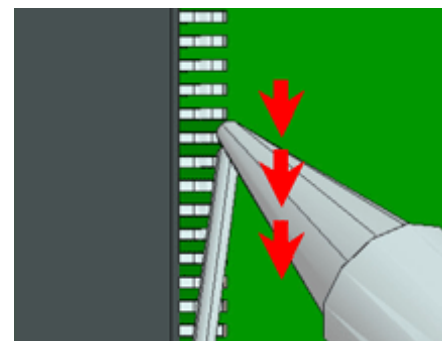
### How to use Shape B and examples

This shape is All-round type which can be used from any direction and it is available for any works. Therefore it is not only accessible for the soldering beginners but also suitable for the experienced.



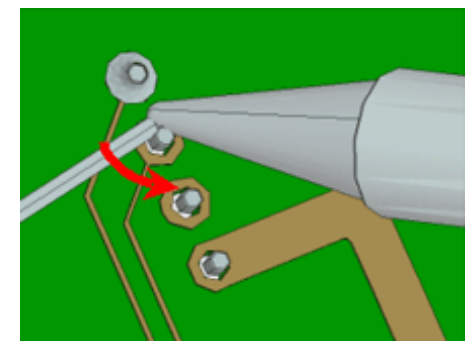
Soldering chip parts: put the tip to the land and drag the tip slowly while feeding solder.

**Note:** Some IC is specified by manufacturer not to be touched electrode by tip end.



Put the tip end to the leads and drag it slowly.

**Note:** Apply flux to leads and land pads before soldering. It prevents the troubles such as solder bridge.



1. Put the tip end to the land pad and the through-hole at one time to heat them.
2. Feed solder to form smooth fillet on the land pad.